

# mellerware®

TRENDS FOR LIFE

Ambiente 2200 LCD Oil Heater



Complies with  
INTERNATIONAL  
IEC60335  
SAFETY SPECIFICATIONS

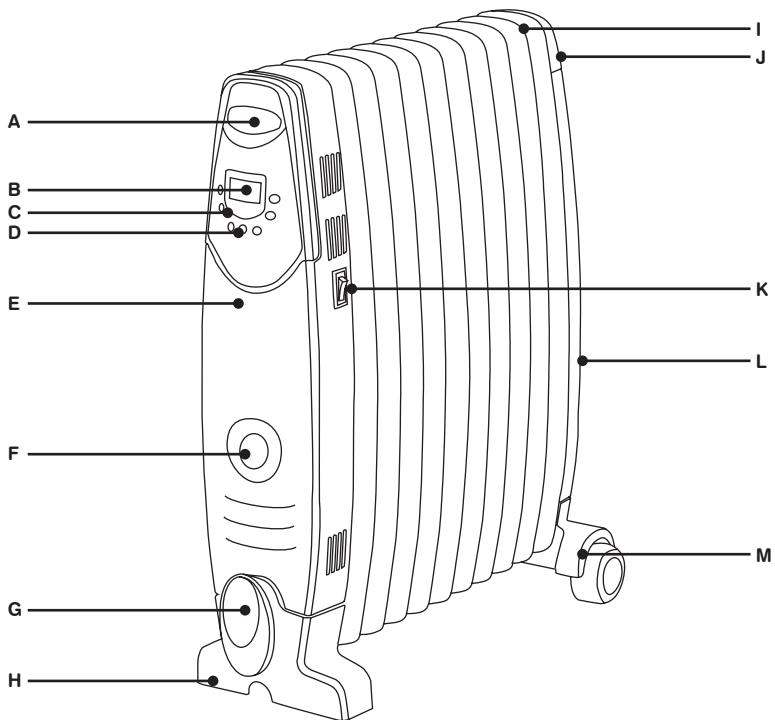
**m**  
2200W

**CE**  
2 YEAR  
GUARANTEE

Model:  
35550

**PLEASE READ ALL INSTRUCTIONS BEFORE USE**

**2 year guarantee**



## Ambiente 2200 LCD Oil Heater 35550

Dear customer,  
Many thanks for choosing to purchase a Mellerware brand product. Thanks to its technology, design and operation and the fact that it exceeds the strictest quality standards, a fully satisfactory use and long product life can be assured.

### Description

A	Carry handle
B	LCD display
C	Power pilot light
D	Function button
E	Front cover
F	Sensor cover
G	Cord storage
H	Front foot
I	Column fins
J	Back handle
K	On/Off button
L	Back cover
M	Back foot with wheels

### IMPORTANT SAFETY GUARDS

When using electrical appliances, in order to reduce the risk of fire, electric shock and/or injury, these basic safety precautions should always be followed:

#### FOR YOUR SAFETY

Read all instructions carefully, even if you are familiar with the appliance.

- Do not position this heater immediately below or in front of a socket outlet.
- This heater is hot when in use. To avoid burns, do not let bare skin touch surfaces. Let the heater cool before moving. Keep combustible materials such as furniture, pillows, bedding, papers, clothes and curtains at least 30cm from sides of the heater. Do not drape laundry or any other items over the heater.
- Ensure that the heater is placed at a distance of at least 30cm away from walls when in use.
- This appliance is not intended for use by persons (including children) with reduced physical, sensory and mental capabilities, or lack of experience and knowledge, unless they have been given supervision or instruction concerning use of the appliance by a person responsible for their safety.
- Young children should be supervised to ensure that they do not play with the appliance.

- Always unplug the heater when not in use.
- Do not operate any heater with a damaged cord or plug, or after the heater malfunctions, has been dropped or is damaged in any manner. Return the heater to an authorized service facility for examination.
- Do not use the heaters outdoors.
- This heater is not intended for use in bathrooms, laundry areas or similar moist indoor locations. Never locate the heater where it may fall into a bathtub or other water containers.
- Do not use this heater in the immediate surroundings of a bath, a shower or a swimming pool.
- Do not run the power cord under carpeting or cover the cord with throw rugs, runners or the like. Arrange the cord away from traffic areas and where it will not be tripped over.
- Do not place the cord over any part of the heater.
- Do not plug this heater into an extension lead, double adapter or power board.
- Do not operate unless the cord is fully unreeled.
- Do not attempt to repair, disassemble or modify the appliance. There are no user-serviceable parts, and this will void the 2 year guarantee.
- To disconnect the heater, set controls to OFF then remove the plug from the outlet.
- To prevent a possible fire, do not block air intakes or exhausts in any manner.
- Do not insert or allow foreign objects to enter any ventilation or exhaust opening as this may cause an electric shock, fire or could damage the heater.
- This heater has hot electrical parts inside. DO NOT use it in areas where gasoline, paint or flammable liquids are used or stored.
- Use the heater only as described in this booklet. Any other use is not recommended by the manufacturer which may cause fire, electric shock or injury to persons.
- Fully remove the power cord from the cord storage before use. Always uncoil the power cord before applying power.
- This product must always be used AND STORED in the upright position.

**Warning:** in order to avoid overheating, do not cover the heater.

## COMPULSORY WARNING

If the supply cord is damaged, the cord must be replaced by the manufacturer. This Column Heater is filled with a precise quantity of oil. Repairs requiring the opening of the oil container are only to be conducted by the manufacturer or a qualified authorized service agent who should be contacted if there is an oil leakage.

Disposal of the oil should be in accordance with local regulations. You should contact your local council to determine the correct procedure.

This product has not been designed for any uses other than those specified in this booklet.

## SAVE THESE INSTRUCTIONS

### YOUR HEATER COLUMN

Before first using your new appliance, it is most important that you read and follow the instruction in this use and care booklet, even if you feel you are quite familiar with this type of appliance.

Your attention is drawn particularly to the section dealing with "IMPORTANT SAFEGUARDS". Find a place and keep this booklet handy for future reference.

Your Column Heater is easy and safe to use. It has been designed to function quietly and safely under normal circumstances. Read all instructions to ensure safe and efficient use.

### HEATING

The columns or fins are filled with a special oil that conducts heat to the metal surfaces. These in turn warm the air around them which gently and silently heats the room. Be careful because they work under pressure as the oil inside heats up. Like any electrical appliance, this product may cause injury or damage property if used whilst damaged.

### MOUNTING THE FEET

1. Place the column heater upside-down on a scratch-free location, make sure it is stable and will not fall.
2. First snap the cord holder onto the front foot. (Note: the oval concave should be upwards.)
3. Snap the front foot onto the front cover and then use two short screws provided to fix the front foot in place.
4. Snap the back foot onto the back cover and then use two long screws provided to fix the back foot into place.

**NOTE:** After wheels assembled as to above, take the unit in upright position, if you find unit is not stable on the ground, you can adjust the two screws on back wheels.

### WARNING:

Do not operate without feet attached. Operate the heater only in an upright position (feet on the bottom, controls on the top), any other position could create a hazardous situation.

**NOTE:** After attaching the feet wait at least 15 minutes for the oil in each fin to setting before using the column heater.

## OPERATION

1. Before using the heater make sure that it is on a flat and stable surface. Damage may occur if it is placed on an incline or decline.
2. Set all the controls to OFF position, and insert the plug into a socket-outlet that is well grounded. Be sure plug fits tightly into outlet. Be sure that the main power switch is on before operating the control panel.
3. Operation for control panel.

### 1.) SETTING THE CLOCK

Set the clock to the correct time before using the heater, proceeding as follows:

Press the button "hour" until the display shows the hours for the correct time, then release the button. Press the button "minute" until the display shows the minutes for the correct time, then release the button. Whenever you want to modify hours or minutes during operation, just proceed as above.



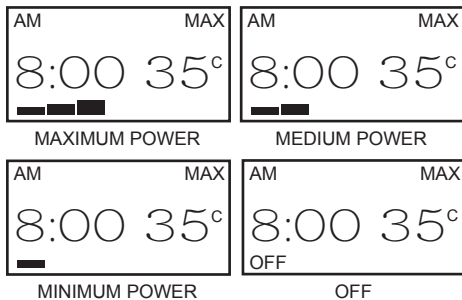
**NOTE:** Do not modify the clock while the heater is operating in auto mode. To activate the set time, you must release the button "hour" or "minute" for at least 5 seconds.

### 2.) SETTING THE POWER

The variable power setting determines how fast the desired temperature is reached. The higher the power setting, the more energy is used.

**NOTE:** If you want to operate the appliance in manual mode, press the button "power setting" to activate it. In this mode, the function of the booking timer will be invalidated.

To set the required power level, proceed as follows: press the "power setting" button one or more times within 5 seconds to select the power level, as per the following sequence:



The power selecting can be circulated and the red power pilot light will be on during the heater powered on.

To cancel the manual mode, push the button "power setting" until the LCD appear "OFF", the red power pilot light will be extinguished. Now the unit can be set in auto mode.

### 3.) SETTING THE AMBIENT TEMPERATURE

Adjust the "+" or "-" button to the desired ambient temperature from 5 to 35°C at any time during operation. By pushing once the "+" or "-" button the temperature (shown on the right side of the display) will increase or decrease by 1°C. Keep the button pressed to move through the temperature in fast mode.

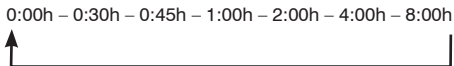


This heater has a sensitive temperature detector, which automatically monitors the current ambient temperature and switches the unit on to maintain your chosen temperature.

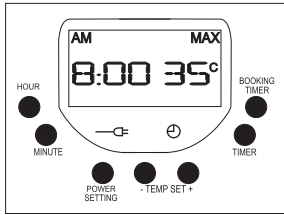
If the selected temperature is higher than the actual room temperature, the appliance will start automatically and rapidly heat the room until it reaches the selected temperature. The unit will automatically maintain the temperature at a constant level.

### 4.) USING OF TIMER

The function of the time works only under the setting manual mode setting. After the unit is powered on in the manual mode, press the button "timing" one or more times within 5 seconds to select the timing level, as per the following sequence:



The timing setting can be circulated as above sequence and the timing pilot lamp light will be on during the timing function activation. To cancel the timing, push the button "timing" until the LCD appears "0:00h" or push the button "power setting" until the LCD appears "OFF" and wait for 5 seconds, the yellow timing pilot light will go out.



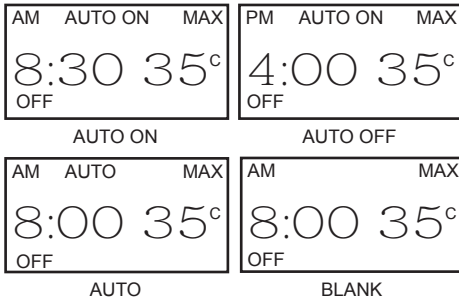
## 5.) ANTI-FREEZE SETTING

Press the “power setting” button and it is recommended to select the maximum power level. Set the temperature to 5°C with the “-” button. When set this way, the appliance will switch on automatically only if the room temperature falls below 5°C, to prevent freezing at minimum energy consumption.

## 6.) USING OF BOOKING TIMER

**NOTE:** If you want to operate the appliance in the auto mode, press the button “booking timer” to activate it. In this mode, the function of the timing will be invalidated.

Press the button “booking timer” one or more times within 5 seconds to select the booking timing mode, as per the following sequence:



The booking timing mode setting can be circulated as above sequence and the yellow timing pilot light will be on during the heater operating in auto mode.

### a. Auto on

When the LCD shows “AUTO ON”, the unit comes into auto power on timing state. To select what time you require the heater to be on, push the button “hour” and “minute” until your required operating time appears.

### b. Auto off

When the LCD shows “AUTO OFF”, the unit comes into auto power off timing state. To select what time you require the heater to be off, push the button “hour” and “minute” until your required operating time appears.

The operating time has a span of 24 hours. Auto on and auto off default value is “00:00”.

### c. Auto

Press the button “booking time” until the LCD appears “AUTO”. This indicates that the auto mode comes into effect. The yellow timing pilot light now lights up.

During operating in the auto mode, you can use the “+” button or “-” to set the desired comfort temperature as described above and the appliance will automatically switch on or off at the preset time and automatically maintain the preset comfort temperature.

**NOTE:** Do not press the button “power setting” when operating in the auto mode, this will cancel the function of “booking timer”.

To cancel the function of “booking timer”, press the button “booking timer” until blank appears and wait for 5 seconds or press the button “power setting”, the yellow timing pilot light will go out.

**NOTE:** To keep the heater’s memory programmed, always leave the heater plugged in at the mains socket. If the heater loses its electricity supply, e.g. switched off at the mains socket or in the event of a power failure, the heater’s programs will be lost, and the heater will not work until reset.

This heater includes an overheat protection system that shuts off the heater when parts of the heater are getting excessively hot. Once it occurs, the heater’s programs will be lost.

To completely shut the heater off, turn the controls and power to OFF, and remove plug from the socket-outlet.

creative housewares

27 Nourse Avenue Epping 2 Cape Town  
PO. Box 975 Eppindust 7475 South Africa  
Tel: +27 21 534 8114 Fax: +27 21 534 8086  
Service Centre Share Call: 086 111 5006  
web: [www.creativehousewares.co.za](http://www.creativehousewares.co.za)